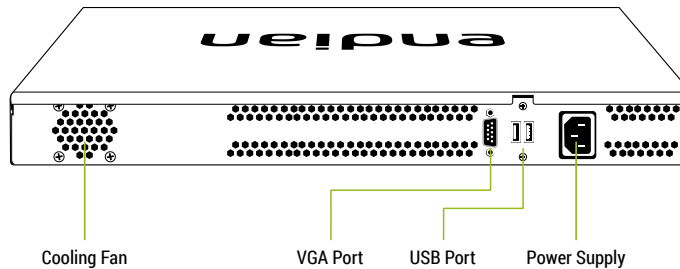
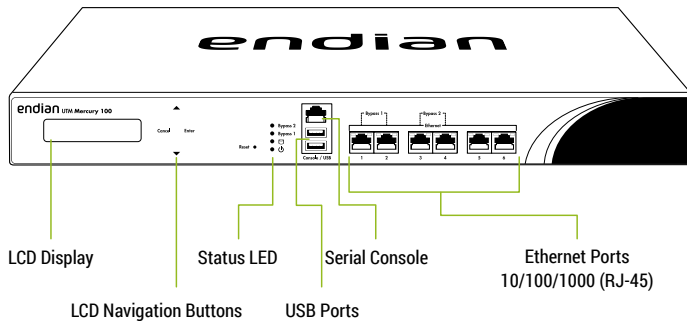


endian

UTM Mercury 100
Quick Start





What You Have and What You Need

With your Endian Appliance box you receive:

- Endian UTM Appliance
- AC power cord
- 1 Ethernet cable
- 1 console cable

To install your Endian UTM Appliance and protect your network you need:

- AC power socket
- Ethernet switch (connected to your network)

Hardware Installation



A DHCP server is running on Ethernet port 1 of your appliance. If you already have a DHCP server in your local network make sure to connect your computer directly to Ethernet port 1, go through the installation procedure and connect the appliance to your local network only after having disabled the DHCP server.

1. Place your Endian UTM Appliance on a steady surface
2. Connect your computer to Ethernet port 1 of the Endian UTM Appliance.
3. Connect the last Ethernet port of your Endian UTM Appliance to the uplink. The appliance will automatically try to connect to the Internet via DHCP once turned on.
If you are using a mobile broadband connection, plug in your USB key instead.
4. Connect the AC power cord to the AC power socket and push the power button. **The Endian UTM Appliance turns ON.**

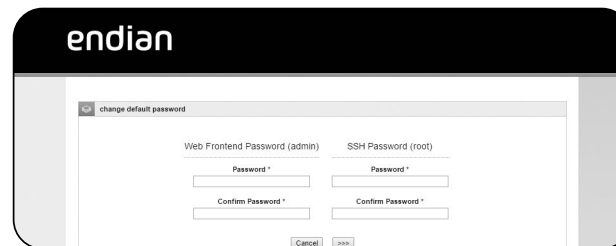
Web Interface

1. After booting the appliance your PC will automatically get an IP address from the Endian appliance.



If your computer is not set up to configure its IP address through DHCP you will need to configure your PC's Ethernet interface manually. In that case configure your interface with an IP address belonging to the 192.168.0.0/24 subnet that is different from 192.168.0.15 (which is the IP address of the Endian appliance).

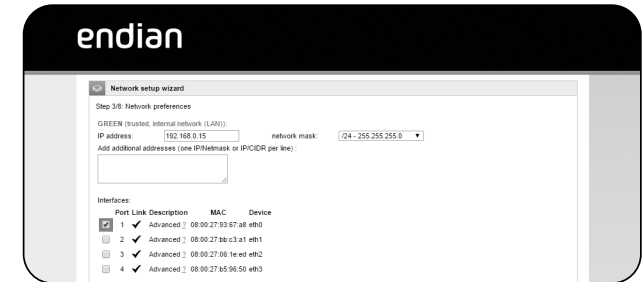
2. Open your Internet browser (e.g. Mozilla Firefox) and go to address **192.168.0.15**
 - The system will redirect you to <https://192.168.0.15:10443/> and ask you for your preferred language and your time zone. After that you need to accept the license agreement.
 - The system will now ask you to choose 2 passwords (admin for web interface and root for console).



Choose Your Internet Connection Mode

Now it is time to configure your Internet connection:

1. Choose your network mode
 - Routed: if you want to use the appliance as router in your network. When using this you will also have to choose the type of your uplink.
 - Bridged: if you want your appliance to act transparently without having to change the existing network infrastructure.
 - No uplink: if the appliance should not act as a router but require clients to address it directly.



Network Settings

1. Every network "area" is assigned to a color:
 - **GREEN** local network (LAN). This is the safe area where your trusted computers are.
 - **RED** external network (WAN). Usually this is the interface connected to the Internet.
 - **BLUE** wireless network. It is suggested to place the computers that use wireless connections in this area. This kind of network is usually not as safe as a wired one.
 - **ORANGE** network for servers connected to the Internet (DMZ). It is meant for systems that have to provide services to external networks. This way, even if the security of one of these servers has been compromised, the **GREEN** area will remain safe.
2. Choose your configuration and assign network interfaces to every zone (select one or more network interfaces for each zone) you want to use. Follow all the wizard steps to configure the appliance and protect your network.
3. Unplug your appliance's Ethernet port 1 from your computer and connect it to the Ethernet switch of your local network.

Endian Network Account

To activate your Endian Network subscription and keep your appliance always up-to-date with the latest features and security updates follow these steps:

A. You already have an Endian Network account

1. When the system asks you if you have an Endian Network account choose "yes" and go to the next step.
2. Now fill in the form using your data and the activation code on the back of this page.

B. You do not have an Endian Network account

1. When the system asks you if you have an Endian Network account choose "no" and go to the next step.
2. Click on the "Endian Network account" link and insert the activation code on the back of this page.
3. Fill in the registration form and create your account.
4. Close the registration window and go to the next step.
5. Now fill in the form using your data and the activation code.

Your Endian appliance is now ready!