

# Endian 4i Edge XL

## Maximum Industrial Cybersecurity & Performance



The Endian 4i Edge XL provides maximum connectivity, micro-segmentation and cybersecurity for industrial environments. Powerful edge computing (with Docker) supports the deployment of custom applications and future-proofs your industrial network.

Tailored cybersecurity tools protect the edge and central infrastructure from attacks and data loss. When used as part of the Secure Digital Platform with the Endian Switchboard, the 4i Edge XL is the ideal enabler of any digitization project. Offering secure remote access, granular user/device permission management, industrial network security and IT/OT network segmentation, the 4i Edge XL is the premier industrial security gateway.

### Highlights

- ✓ Ruggedized hardware
- ✓ DIN Rail mounting
- ✓ 2GB RAM
- ✓ 16GB storage
- ✓ 5x GbE ports
- ✓ Support for 4G module (Mini PCIe)

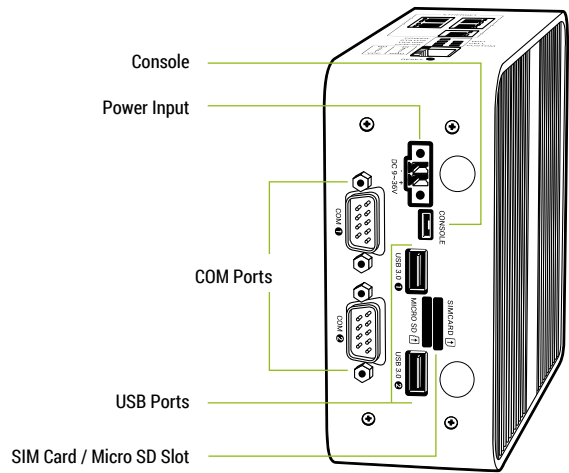
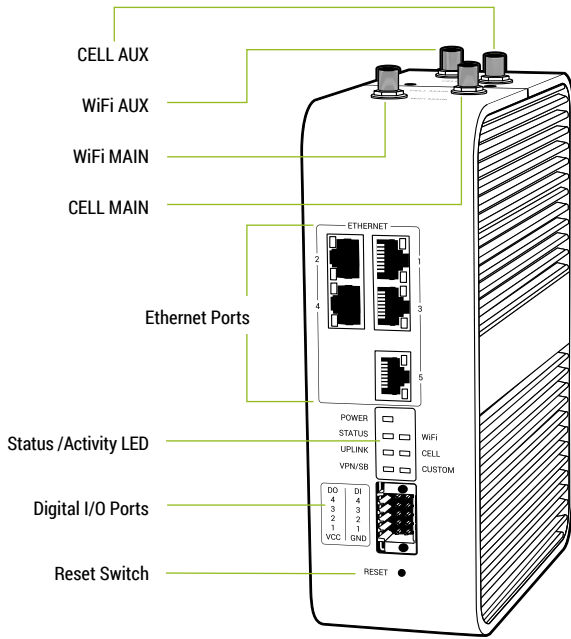
### EndianOS 4i

At the core of the Endian ecosystem is EndianOS which powers the entire Secure Digital Platform. A security focused operating system built to provide the complete networking, security and connectivity stack in an intuitive and easy to operate solution. The Endian 4i powered by EndianOS is available as a **Hardware, Software or Virtual** solution.

#### EndianOS 4i Highlights

<b>Secure Remote Maintenance</b>	Provide easy and secure remote access to equipment for all types of users. Deploy seamlessly anywhere with no changes required to remote site networks.
<b>Zero Trust Architecture</b>	Enforce fine-grained access and authorization policies to reduce attack surface. Monitor and audit access records for compliance efforts.
<b>Microsegmentation</b>	Define network zones and firewall policies to protect critical IT and OT assets and interconnect different segments via secure pathways (NAT & VPN).
<b>Threat Management</b>	Identify and stop advanced threats or malware from infiltrating your network using our multi-faceted IT and OT security toolset.
<b>Edge Computing</b>	Manage edge applications to simplify software distribution and enable third party software for analytics, monitoring, automation and more.
<b>Network Visibility and Monitoring</b>	Network Awareness and visibility to discover connected assets and protect against IT and OT threats. Identify network bottlenecks and track inappropriate activity.
<b>Ruggedized Hardware</b>	Install and connect anywhere with ruggedized hardware and support for many connectivity and communications (I/O) options.





Dimensions and environmental specifications

Form factor	DIN Rail
Dimension appliance WxDxH	160mm x 52mm x 127mm
Dimensions box WxDxH	253mm x 207mm x 76mm
Weight (unpacked/ packed)	960 g / 1200 g
Operating temperature	-20°C ~ +70°C/-4°F ~ +158°F
Storage temperature	-40°C ~ +80°C/-40°F ~ +176°F
Operating humidity	10% ~ 95% relative humidity, non-condensing

Optionals & Accessory

4G connectivity	Option to upgrade to Endian 4i Edge XL 4G, incl. Quectel EG25-G Mini PCIe & antennas
WiFi connectivity	Option to upgrade (coming soon)

Hardware specifications

CPU	ARM NXP i.MX8M Plus Quad-Core Cortex-A53
Memory	2 GB
Onboard Storage	16 GB
Additional Storage	MicroSD Slot
Networking & Interfaces	<ul style="list-style-type: none"> <li>• 5x RJ-45 ports</li> <li>• 2x USB 3.0</li> <li>• 1x Micro-USB Console Port</li> <li>• 1x SIM Slot</li> <li>• 2x Serial Port RS232/422/485</li> </ul>
Cooling	Fanless
Status LED	Yes
Digital I/O	4In/4Out
Certifications	CE, UKCA, FCC, RoHS

Performance\*\*

Firewall Throughput	3 Gbit/s
VPN Throughput	250 Mbit/s
IPS Throughput	300 Mbit/s
Concurrent Sessions	300,000

\*\*Maximum throughput measured under ideal test conditions and using multiple flows through multiple ports. Actual performance may vary depending on network conditions and activated services.

Endian Licenses & Subscription

The Endian 4i subscription includes a complete set of services at a single all-inclusive price. A subscription provides industry-leading software and security services backed by expert-level support. Get the most from your Endian 4i with an easy-to-buy and easy-to-own subscription tailored for your business.

A subscription is required for every Endian product and for the 4i you just choose the duration of the subscription which can be 1 year, 3 years or 5 years.

With the subscription you get access to:

<p><b>Premium security subscriptions</b></p> <ul style="list-style-type: none"> <li>• IPS signatures</li> <li>• DNS malware detection</li> </ul>	<p><b>Endian software</b></p> <ul style="list-style-type: none"> <li>• Security updates</li> <li>• Firmware updates &amp; upgrades</li> <li>• Security signatures updates</li> </ul>
<p><b>Endian technical support***</b></p> <ul style="list-style-type: none"> <li>• Coverage 8*5 (see local office business hours)</li> <li>• Priority ticket processing</li> <li>• Hot Replacement RMA processing</li> </ul>	<p><b>Endian Network</b></p> <ul style="list-style-type: none"> <li>• Centralized device remote access</li> <li>• Support and license management</li> </ul>

\*\*\* Reference to the Endian Support SLA