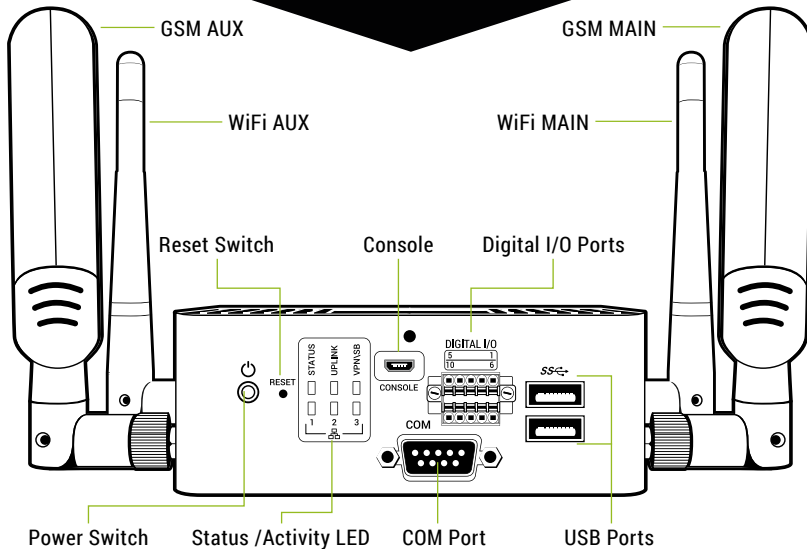


4i Edge X Quick Starter



What You Have and What You Need

With your 4i Edge X you should receive:

- 4i Edge X
- 2x WiFi Antennas
- a VESA plate for wall installation

4i Edge X Optional Kits:

- Desktop Kit: a Power Adaptor (12V) and US/EU Power Cords
- DIN Rail Kit: DIN Rail mounting kit
- 4G Kit: 2x 4G Antennas

To install your 4i Edge X and protect your network you need:

- AC power socket
- Ethernet switch (connected to your network)

LED Table

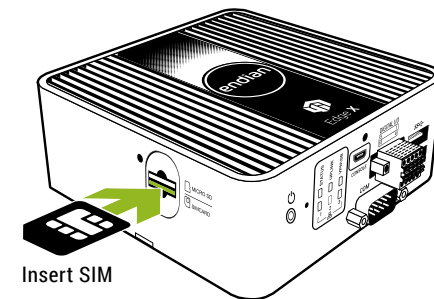
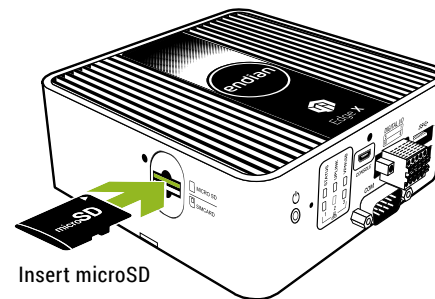
LED	OFF	Fixed GREEN	Blinking GREEN	Fixed BLUE	Blinking BLUE	Fixed RED	Blinking RED	Flashing RED
Power Button	No Power	Power On	-	-	-	Standby	-	-
Status	-	System Up	Support Access Enabled	System Initializing	System Booting	-	Action Needed (eg. HD almost full, Reboot Required,...)	Fatal Error
Uplink	Not configured	Main Uplink Online	-	Secondary Uplink Online	-	All Uplinks Offline/Connecting	-	Fatal Error
VPN/SB	Not Configured or Enabled OpenVPN Client or Connecting	At least 1 Enabled OpenVPN Client Connection Established	-	-	-	All Enabled OpenVPN Client Connections in Error Status	-	Fatal Error

Hardware Installation

A DHCP server is running on Ethernet port 1 of your appliance. If you already have a DHCP server in your local network make sure to connect your computer directly to Ethernet port 1, go through the installation procedure and connect the appliance to your local network only after having disabled the DHCP server

1. Place your 4i Edge X on a steady surface or attach it to the DIN rail (DIN rail kit - optional)
2. Connect your computer to Ethernet port 1 of the 4i Edge X Appliance.
3. Connect the port 3 of your 4i Edge X Appliance to the uplink. The appliance will automatically try to connect to the Internet via DHCP once turned on. If you are using a mobile broadband connection and you have the 4G modem, insert your SIM card in the 4i Edge X now.
4. Connect the AC power cord to the AC power socket and push the power button. The Endian 4i Edge X Appliance turns ON

If your device was preconfigured using the Plug & Connect feature, there are no additional steps to complete (you can skip the Web Interface section below). You can check that the Plug & Connect procedure completed successfully by accessing your Endian Switchboard and verifying your device is listed as online and available.



Web Interface

1. After booting the appliance your PC will automatically get an IP address from the Endian appliance.



If your computer is not set up to configure its IP address through DHCP you will need to configure your PC's Ethernet interface manually. In that case configure your interface with an IP address belonging to the 192.168.0.0/24 subnet that is different from 192.168.0.15 (which is the IP address of the Endian appliance).

2. Open your Internet browser (e.g. Mozilla Firefox) and go to address **192.168.0.15**
 - The system will redirect you to <https://192.168.0.15:10443/> and the Configuration Wizard will start, and you need to select your language and accept the License.

Choose Your Configuration Mode

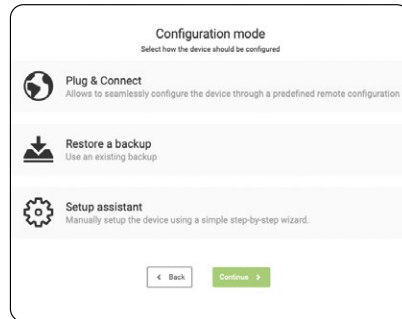
You have 3 choices:

- **Plug & Connect:** if you have an Endian Connect Switchboard this is the easiest way to connect and activate your Endian 4i Edge



You (or someone from your company) must initially configure your device on the Switchboard in order to utilize the Plug & Connect feature (for more info please go to help.endian.com and look for the "The Plug And Connect (Autoregistration) Procedure" article)

- **Restore a Backup:** choose this mode if you have any existing backup to restore
- **Setup Assistant:** if you want to configure your appliance manually with the configuration wizard, choose this mode and follow the steps



Endian Network Account

The Configuration Assistant will ask you for an Endian Network account, needed for your Endian Network subscription and keep your appliance always up-to-date with the latest features and security updates.

A. You already have an Endian Network account

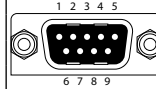
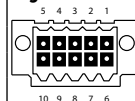
1. When the system asks you if you have an Endian Network account choose "yes" and go to the next step.
2. Now fill in the form using your data and the activation code on the back of this Quick Start.

B. You do not have an Endian Network account

1. When the system asks you if you have an Endian Network account choose "no" and go to the next step.
2. Click on the "Endian Network account" link and insert the activation code on the back of this Quick Start.
3. Fill in the registration form and create your account.
4. Close the registration window and go to the next step.
5. Now fill in the form using your data and the activation code.

Your Endian appliance is now ready!

Connector Pinout Table

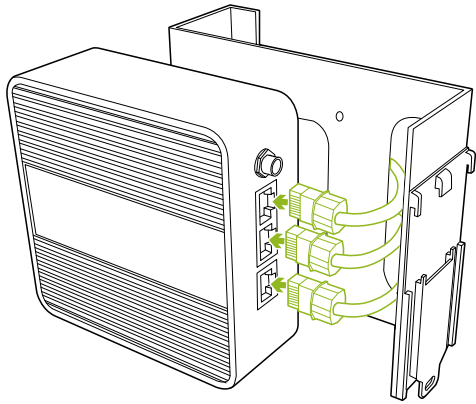
COM Port	Pin	RS232	RS485	RS422	Digital I/O	Pin	REF
	1	DCD	B -	TX-		1	GND
	2	RXD		TX+		2	INPUT 0
	3	TXD	A+	TX+		3	INPUT 1
	4	DTR		RX-		4	INPUT 2
	5	GND	GND	GND		5	INPUT 3
	6	DSR				6	VCC Out *
	7	RTS				7	OUTPUT 0
	8	CTS				8	OUTPUT 1
	9	RI				9	OUTPUT 2
						10	OUTPUT 3

* Output voltage same as power supply

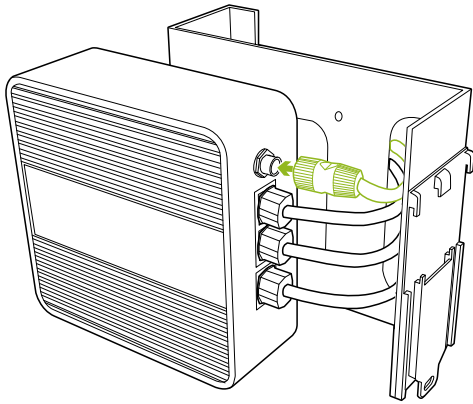
DIN-Rail Kit Installation (Optional)

If you purchased the Endian 4i Edge X DIN-Rail kit (Optional) you should connect the DIN-Rail jumper cables and mount your 4i Edge X on it before attaching anything to the DIN-Rail:

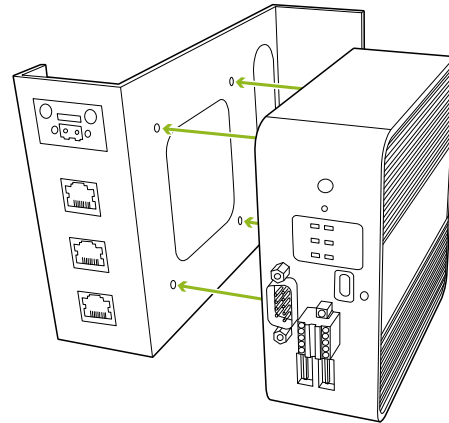
- 1 Plug the 3 Ethernet cables of your DIN-Rail kit to the 3 Ethernet ports of your 4i Edge X ensuring that the port number on the DIN-Rail Kit matches the same port number on the 4i Edge X appliance



- 2 Plug the power adaptor of the DIN-Rail kit to the 4i Edge X power port



- 3 Tighten the 4 screws included in the DIN-Rail Kit to join it to the bottom side of the 4i Edge X



- 4 Attach 4i Edge X with DIN-Rail kit to the DIN-Rail

