

Endian 4i Edge V

Entry-Level Industrial IoT Gateway



The 4i Edge V is the entry-level model of the Endian 4i Edge Family, ideal for providing industrial cybersecurity and remote access. Available with support for wireless (WiFi or 4G) and wired connectivity ensures maximum speed and reliability. Experience superior quality at an exceptional value with the Endian 4i Edge V.

Tailored cybersecurity tools protect the central infrastructure from attacks and data loss. When used as part of the Secure Digital Platform with the Endian Switchboard, the 4i Edge V is the ideal enabler for any digitization project. As an entry-level model, it provides secure remote access, granular user/device rights management, industrial network security, and IT/OT network segmentation. The 4i Edge V is the premier industrial security gateway for those seeking reliable and cost-effective protection.

Highlights

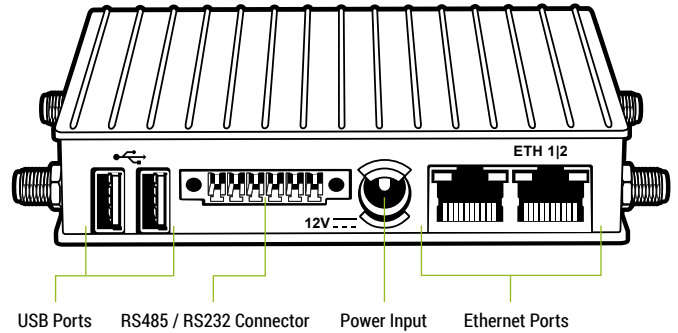
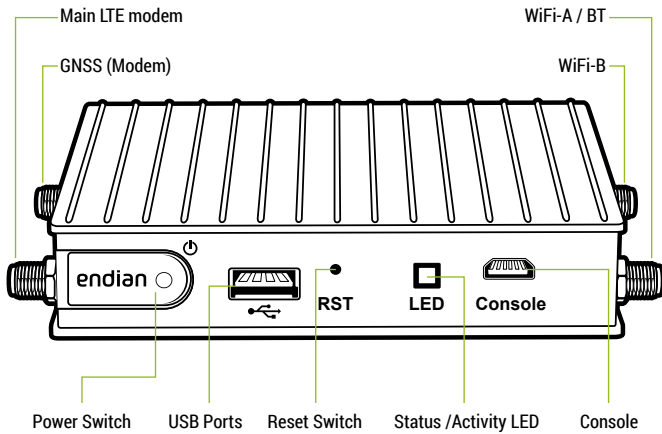
- ✓ Ruggedized hardware
- ✓ DIN Rail mounting
- ✓ 2GB RAM
- ✓ 16GB storage
- ✓ 2x Ethernet Ports
- ✓ Available with WiFi or 4G

EndianOS 4i

At the core of the Endian ecosystem is EndianOS which powers the entire Secure Digital Platform. A security focused operating system built to provide the complete networking, security and connectivity stack in an intuitive and easy to operate solution. The Endian 4i powered by EndianOS is available as a **Hardware, Software or Virtual** solution.

EndianOS 4i Highlights	
Secure Remote Maintenance	Provide easy and secure remote access to equipment for all types of users. Deploy seamlessly anywhere with no changes required to remote site networks.
Zero Trust Architecture	Enforce fine-grained access and authorization policies to reduce attack surface. Monitor and audit access records for compliance efforts.
Microsegmentation	Define network zones and firewall policies to protect critical IT and OT assets and interconnect different segments via secure pathways (NAT & VPN).
Threat Management	Identify and stop advanced threats or malware from infiltrating your network using our multi-faceted IT and OT security toolset.
Network Visibility and Monitoring	Network Awareness and visibility to discover connected assets and protect against IT and OT threats. Identify network bottlenecks and track inappropriate activity.





Models

Basic	Model Endian 4i Edge V
4G connectivity	Model Endian 4i Edge V 4G
WiFi connectivity	Model Endian 4i Edge V WiFi

Dimensions and environmental specifications

Form factor	Desktop / DIN Rail (Optional)
Dimension appliance WxDxH	112mm x 84mm x 25mm
Dimensions box WxDxH	20 mm x 16 mm x 6,5 mm
Weight (unpacked)	450 g
Power supply	DC input: unregulated 8V to 36V
Operating temperature	0°C – +60°C/32°F – +140°F
Storage temperature	-40°C – +85°C/-40°F – +185°F
Operating humidity	10% ~ 90% relative humidity, non-condensing

Hardware specifications

CPU	NXP i.MX8M Mini, quad-core ARM Cortex-A53, 1.8GHz
Memory	2 GB
Onboard Storage	16 GB
Networking & Interfaces	<ul style="list-style-type: none"> • 2x Ethernet Ports (1x 1000Mbps 1x 100Mbps) • 3x USB 3.0 • 1x Serial Port RS232/485 • 1x Console
Cooling	Fanless
Status LED	1 LED
Certifications	CE, FCC, RoHS

Additional accessories

DIN Rail Kit	<ul style="list-style-type: none"> • DIN-Rail Mounting Kit front • DIN-rail Mounting Kit side
Power supply	<ul style="list-style-type: none"> • Power supply unit • DC terminal block adapter

Endian Licenses & Subscription

The Endian 4i subscription includes a complete set of services at a single all-inclusive price. A subscription provides industry-leading software and security services backed by expert-level support. Get the most from your Endian 4i with an easy-to-buy and easy-to-own subscription tailored for your business.

A subscription is required for every Endian product and for the 4i you just choose the duration of the subscription which can be 1 year, 3 years or 5 years.

With the subscription you get access to:

Premium security subscriptions

- IPS signatures
- DNS malware detection

Endian software

- Security updates
- Firmware updates & upgrades
- Security signatures updates

Endian technical support*

- Coverage 8*5 (see local office business hours)
- Priority ticket processing
- Hot Replacement RMA processing

Endian Network

- Centralized device remote access
- Support and license management

* Reference to the Endian Support SLA